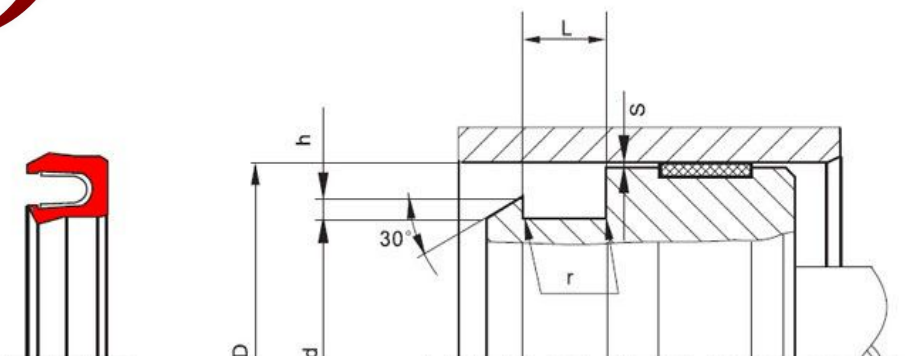




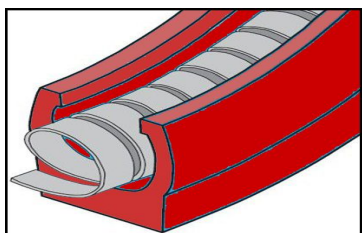
上海瑞密机械有限公司
SHANGHAI RUMI MACHINERY CO.,LTD
孔用泛塞 Spring Energized Seals-PTB



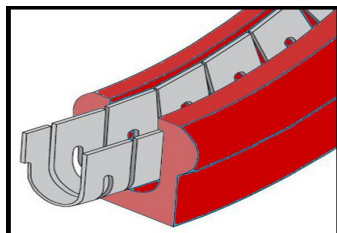
| 适用范围 Application Range | | | | |
|------------------------|-------------------|----------------------|------------------------|---|
| | 压力 Pressure [MPa] | 温度 Temperature [° C] | 速度 Sliding speed [m/s] | 介质 Medium |
| 标准产品 Standard | 45 | -40 至 260° C | 15 | 几乎所有液体、化学药品和气体 Virtually all fluids, chemicals and gases |

| 材料 Material | | | |
|---------------|---------------------------------|---------------------|--------------------------|
| | 弹簧 Spring | 密封件 Seals | 弹簧结构 Spring structure |
| 标准设计 Standard | 不锈钢 stainless steel 304/316/301 | PTFE-Filled 填充 PTFE | 结构 structure 103/400/APS |

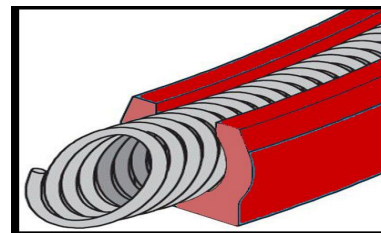
弹簧结构 Spring structure



弹簧 Spring 103



弹簧 Spring 400



弹簧 Spring APS

描述: 孔用泛塞密封是一种用于外周密封的往复运动用密封。这种密封可适用于恶劣工况，也可以适应某些特殊介质的要求。PTB密封是所有要求无爬行，耐化学制品和耐大多数介质用途所推荐使用的密封件，例如：阀、泵、分离器、制动器、配料装置等。

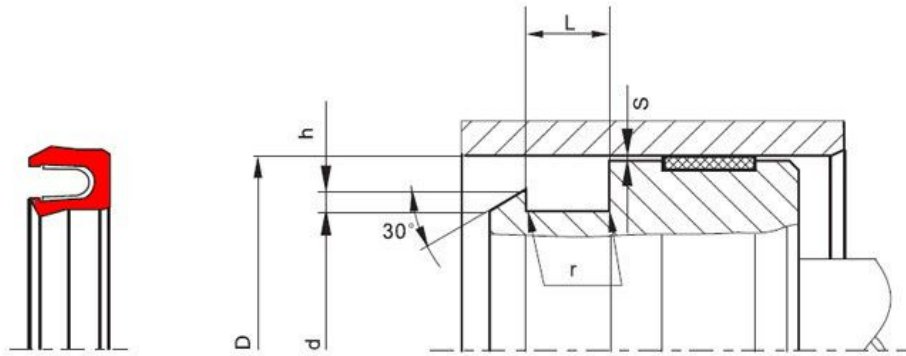
特点:

- > 可用于往复及旋转运动
- > 能适应绝大部份流体和化学制品
- > 摩擦系数小，耐磨损，尺寸稳定
- > 精确控制时也不会爬行
- > 防腐能力强和尺寸稳定性好
- > 能承受急剧的温度变化
- > 不会污染食品、药品和药剂液体
- > 可以进行消毒
- > 贮存期无限

安装尺寸:

| 缸径 D H9 | 沟槽底径 d h9 | 沟槽宽度 L+0.2 | 半径 r1 | 止口高度 h | 最大径向间隙 S | | | |
|-------------|--------------|---------------|----------|-----------|----------|-------|-------|-------|
| | | | | | 2 MPa | 10MPa | 20MPa | 40MPa |
| 6.0-19.9 | D-2.9 | 2.4 | 0.4 | 0.4 | 0.20 | 0.10 | 0.08 | 0.05 |
| 14.0-24.9 | D-4.5 | 3.6 | 0.4 | 0.6 | 0.25 | 0.15 | 0.10 | 0.07 |
| 25.0-45.9 | D-6.2 | 4.8 | 0.6 | 0.7 | 0.35 | 0.20 | 0.15 | 0.08 |
| 46.0-124.9 | D-9.4 | 7.1 | 0.8 | 0.8 | 0.50 | 0.25 | 0.20 | 0.10 |
| 125.0-999.9 | D-12.2 | 9.5 | 0.8 | 0.8 | 0.60 | 0.30 | 0.25 | 0.12 |

孔用泛塞 Spring Energized Seals-PTB



订货范例 Order Example for standard version:

轴径 Diameter d = 100 mm **PTB1000**

| 产品订货号 | 缸径 | 沟槽底径 | 沟槽宽度 |
|---------|------|------|--------|
| | D H9 | d h9 | L1+0.2 |
| PTB0060 | 6 | 3.1 | 2.4 |
| PTB0080 | 8 | 5.1 | 2.4 |
| PTB0100 | 10 | 7.1 | 2.4 |
| PTB0120 | 12 | 9.1 | 2.4 |
| PTB0140 | 14 | 9.5 | 3.6 |
| PTB0150 | 15 | 10.5 | 3.6 |
| PTB0160 | 16 | 11.5 | 3.6 |
| PTB0180 | 18 | 13.5 | 3.6 |
| PTB0200 | 20 | 15.5 | 3.6 |
| PTB0220 | 22 | 17.5 | 3.6 |
| PTB0250 | 25 | 18.8 | 4.8 |
| PTB0280 | 28 | 21.8 | 4.8 |
| PTB0300 | 30 | 23.8 | 4.8 |
| PTB0320 | 32 | 25.8 | 4.8 |
| PTB0350 | 35 | 28.8 | 4.8 |
| PTB0400 | 40 | 33.8 | 4.8 |
| PTB0420 | 42 | 35.8 | 4.8 |
| PTB0450 | 45 | 38.8 | 4.8 |
| PTB0480 | 48 | 38.6 | 7.1 |
| PTB0500 | 50 | 40.6 | 7.1 |
| PTB0520 | 52 | 42.6 | 7.1 |
| PTB0550 | 55 | 45.6 | 7.1 |
| PTB0560 | 56 | 46.6 | 7.1 |
| PTB0600 | 60 | 50.6 | 7.1 |
| PTB0630 | 63 | 53.6 | 7.1 |
| PTB0650 | 65 | 55.6 | 7.1 |
| PTB0700 | 70 | 60.6 | 7.1 |
| PTB0750 | 75 | 65.6 | 7.1 |
| PTB0800 | 80 | 70.6 | 7.1 |
| PTB0850 | 85 | 75.6 | 7.1 |

| 产品订货号 | 缸径 | 沟槽底径 | 沟槽宽度 |
|---------|------|-------|--------|
| | D H9 | d h9 | L1+0.2 |
| PTB0900 | 90 | 80.6 | 7.1 |
| PTB0950 | 95 | 85.6 | 7.1 |
| PTB1000 | 100 | 90.6 | 7.1 |
| PTB1100 | 110 | 100.6 | 7.1 |
| PTB1150 | 115 | 105.6 | 7.1 |
| PTB1200 | 120 | 110.6 | 7.1 |
| PTB1250 | 125 | 112.8 | 9.5 |
| PTB1300 | 130 | 117.8 | 9.5 |
| PTB1350 | 135 | 122.8 | 9.5 |
| PTB1400 | 140 | 127.8 | 9.5 |
| PTB1500 | 150 | 137.8 | 9.5 |
| PTB1600 | 160 | 147.8 | 9.5 |
| PTB1700 | 170 | 157.8 | 9.5 |
| PTB1800 | 180 | 167.8 | 9.5 |
| PTB1900 | 190 | 177.8 | 9.5 |
| PTB2000 | 200 | 187.8 | 9.5 |
| PTB2100 | 210 | 197.8 | 9.5 |
| PTB2200 | 220 | 207.8 | 9.5 |
| PTB2300 | 230 | 217.8 | 9.5 |
| PTB2400 | 240 | 227.8 | 9.5 |
| PTB2500 | 250 | 237.8 | 9.5 |
| PTB2800 | 280 | 267.8 | 9.5 |
| PTB3000 | 300 | 287.8 | 9.5 |
| PTB3200 | 320 | 307.8 | 9.5 |
| PTB3500 | 350 | 337.8 | 9.5 |
| PTB4000 | 400 | 387.8 | 9.5 |
| PTB4200 | 420 | 407.8 | 9.5 |
| PTB4500 | 450 | 437.8 | 9.5 |
| PTB4800 | 480 | 467.8 | 9.5 |
| PTB5000 | 500 | 487.8 | 9.5 |

如欲了解更详细内容, 请与我方联系。For further information, please contact us.

www.ruimi.com.cn